



PREMIER PREMIER24

ARTICULATED ARM

personalised release key

up to 4.0 m



CONTROL UNITS:

PR.45E BRAINY HEADY

PR.45EE BRAINY

PR.45EL BRAINY HEADY

PR.45E24 BRAINY24^{PLUS}
BRAINY24



230 Vac

- Irreversible 230 Vac electromechanical geared motor also available in the PR.45EL version for large doors
- The PR.45EE model is equipped with an encoder to ensure crush prevention and precision in the gate moving phases. Quick and easy to install thanks to the possibility of wiring on the motor

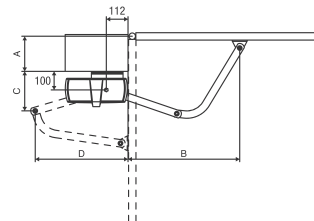
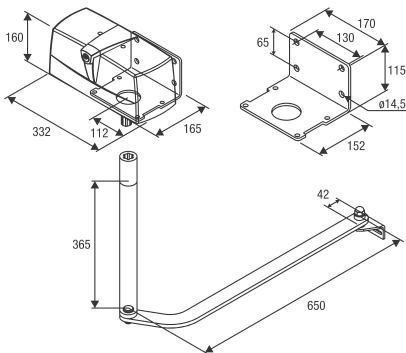
Irreversible geared motor suitable for gates installed on large columns, available in 230 Vac and 24 Vdc versions. Built-in electromechanical open and close limit switches, with sturdy articulated anti-shearing arm in galvanised steel.

Arm not included

24 Vdc | intensive use

- Irreversible 24 Vdc geared motor for intensive use
- Amperometric sensor obstacle detection system to prevent crushing
- Optional battery powered operation

www.beninca.com



A (mm)	B (mm)	C (mm)	D (mm)
50	883	277	429
150	851	181	466
200	828	117	475
250	800	32	469
300	846	28	468

BENINCA

COMPLETE KITS	MOTORS	CONTROL UNIT	ARMS	PHOTOCELLS	FLASHING LIGHT	TRANSMITTER
KPR	2x PR.45E	1x HEADY	2x DU.E2	1x PUPILLA.T	1x LAMPY	1x TO.GO2VA
KPR24.B	2x PR.45E24	1x BRAINY24	2x DU.E2	1x PUPILLA.T	1x LAMPY	1x TO.GO2VA



DU.E2
Single galvanized steel arm.



PR.SN
Articulated arm for installation in sloping areas.



PR.BSL
Left sliding arm for installation in tight spaces.



PR.BSR
Right sliding arm for installation in tight spaces.



PR.PL
Longitudinal plate for installation on small-sized columns.



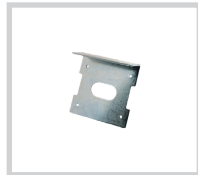
MB.SE
Externally fitted anti-intrusion cable unlock device which allows the gate to be unlocked from outside.



DU.V96
12 Vac/dc vertical electric lock, supplied with counterplate. Permits internal/external release.



DU.V90
12 Vac/dc horizontal electric lock, supplied with counterplate. Permits internal/external release.



DU.9990
Covering plate for DU.V90.



E.LOCK
230 Vac vertical electric lock, supplied with counterplate.



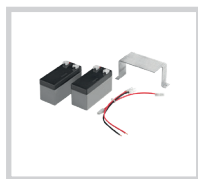
E.LOCKSE
Extended cylinder for E.LOCK electric lock. It allows unlocking gates up to 55mm-thick from the outside.



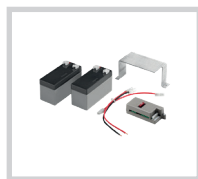
XLB.CB
Battery box fitted with universal bracket and cables. IP54.



DA.LB
Galvanized column for outdoor installation of LB box.



BRAINY24.CB-SW
Accessory equipped with 1.2 Ah batteries and support bracket.



BRAINY24.CB
Accessory with CBY.24V battery charger, 1.2 Ah batteries and support bracket.

AUTOMATISMI BENINCÀ SpA • Via del Capitello, 45 • 36066 Sandrigo (VI) ITALY • T +39 0444 751030 • sales@beninca.com

TECHNICAL DATA	PR.45E*	PR.45EE	PR.45EL	PR.45E24*
Motor supply	230 Vac (50-60Hz)	230 Vac (50-60Hz)	230 Vac (50-60Hz)	24 Vdc
Max absorbed current	1.75 A	1.75 A	1.45 A	9 A
Torque	325 Nm	325 Nm	300 Nm	320 Nm
Opening time	13"	13"	20"	9"
Duty cycle	30%	30%	30%	intensive use
Protection level	IP44	IP44	IP44	IP44
Encoder	NO	YES	NO	YES
Operating temperature	-20°C /+50°C	-20°C /+50°C	-20°C /+50°C	-20°C /+50°C
Leaf max dimension	3 m	3 m	4 m	3 m
Weight	10.5 kg	10.5 kg	10.5 kg	9 kg
Items no. per pallet	42	42	42	42
Kit weight	34.6 kg	---	---	34 kg
Kits no. per pallet	12	---	---	12

* Available in 115 VAC version